

## ECE 223 LAB EXPERIMENT 10

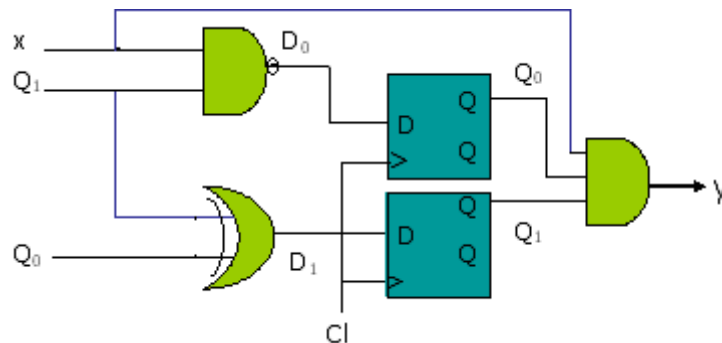
### D-TYPE FLIP FLOPS

#### Objective:

The purpose of this experiment is to show the analysis and design of the circuits employing D-type Flip-Flops.

#### Preliminary Work:

1. Study the D-type Flip Flop. Study the connection diagrams for the IC 7474. What is Set and Preset?
- 2.



- a.) Draw the state table
  - b.) Draw the State Diagram
3. Design a 2-bit binary down counter using D Flip Flop. Draw the state table, state diagram and draw the logic circuit.

#### Experimental Work:

Implement question 3.